

Mathematics

(Chapter – 4) (Practical Geometry)

(Class – VIII)

Exercise 4.1

Question 1:

Construct the following quadrilaterals:

- (i) Quadrilateral ABCD
AB = 4.5 cm, BC = 5.5 cm, CD = 4 cm, AD = 6 cm, AC = 7 cm
- (ii) Quadrilateral JUMP
JU = 3.5 cm, UM = 4 cm, MP = 5 cm, PJ = 4.5 cm, PU = 6.5 cm
- (iii) Parallelogram MORE
OR = 6 cm, RE = 4.5 cm, EO = 7.5 cm
- (iv) Rhombus BEST
BE = 4.5 cm, ET = 6 cm

Answer 1:

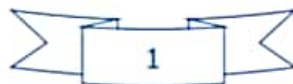
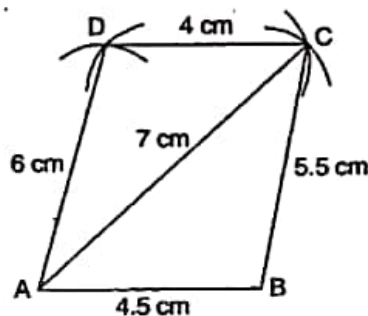
- (i) **Given:** AB = 4.5 cm, BC = 5.5 cm, CD = 4 cm, AD = 6 cm, AC = 7 cm

To construct: A quadrilateral ABCD

Steps of construction:

- (a) Draw AB = 4.5 cm.
- (b) Draw an arc taking radius 5.5 cm from point B.
- (c) Taking radius 7 cm, draw another arc from point A which intersects the first arc at point C.
- (d) Join BC and AC.
- (e) Draw an arc of radius 6 cm from point A and draw another arc of radius 4 cm from point C which intersects at D.
- (f) Join AD and CD.

It is required quadrilateral ABCD.



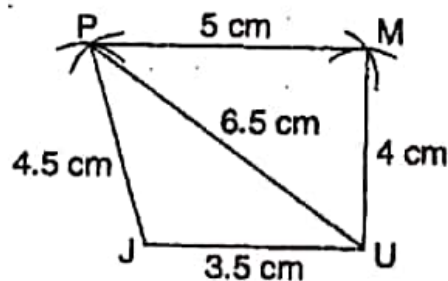
(ii) **Given:** $JU = 3.5$ cm, $UM = 4$ cm, $MP = 5$ cm, $PJ = 4.5$ cm, $PU = 6.5$ cm

To construct: A quadrilateral JUMP

Steps of construction:

- Draw $JU = 3.5$ cm.
- Draw an arc of radius 4.5 cm taking centre J and then draw another arc of radius 6.5 cm taking U as centre. Both arcs intersect at P.
- Join PJ and PU.
- Draw arc of radius 5 cm and 4 cm taking P and U as centres respectively, which intersect at M.
- Join MP and MU.

It is required quadrilateral JUMP.



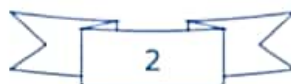
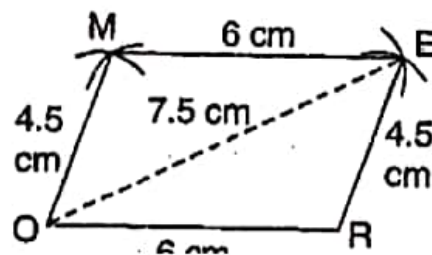
(iii) **Given:** $OR = 6$ cm, $RE = 4.5$ cm, $EO = 7.5$ cm

To construct: A parallelogram MORE.

Steps of construction:

- Draw $OR = 6$ cm.
- Draw arcs of radius 7.5 cm and radius 4.5 cm taking O and R as centres respectively, which intersect at E.
- Join OE and RE.
- Draw an arc of 6 cm radius taking E as centre.
- Draw another arc of 4.5 cm radius taking O as centre, which intersects at M.
- Join OM and EM.

It is required parallelogram MORE.



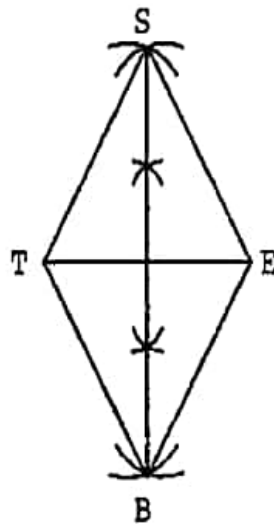
(iv) **Given:** $BE = 4.5 \text{ cm}$, $ET = 6 \text{ cm}$

To construct: A rhombus BEST.

Steps of construction:

- (a) Draw $TE = 6 \text{ cm}$ and bisect it into two equal parts.
- (b) Draw up and down perpendiculars to TE .
- (c) Draw two arcs of 4.5 cm taking E and T as centres, which intersect at S .
- (d) Again draw two arcs of 4.5 cm taking E and T as centres, which intersect at B .
- (e) Join TS , ES , BT and EB .

It is the required rhombus BEST.



Exercise 4.2

Question 1:

Construct the following quadrilaterals:

- (i) Quadrilateral LIFT
LI = 4 cm, IF = 3 cm, TL = 2.5 cm, LF = 4.5 cm, IT = 4 cm
- (ii) Quadrilateral GOLD
OL = 7.5 cm, GL = 6 cm, GD = 6 cm, LD = 5 cm, OD = 10 cm
- (iii) Rhombus BEND
BN = 5.6 cm, DE = 6.5 cm

Answer 1:

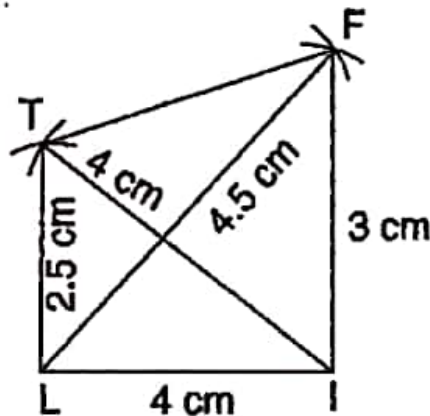
- (i) **Given:** LI = 4 cm, IF = 3 cm, TL = 2.5 cm, LF = 4.5 cm, IT = 4 cm

To construct: A quadrilateral LIFT

Steps of construction:

- (a) Draw a line segment LI = 4 cm.
- (b) Taking radius 4.5 cm, draw an arc taking L as centre.
- (c) Draw an arc of 3 cm taking I as centre which intersects the first arc at F.
- (d) Join FI and FL.
- (e) Draw another arc of radius 2.5 cm taking L as centre and 4 cm taking I as centre which intersect at T.
- (f) Join TF, TI and TL.

It is the required quadrilateral LIFT.



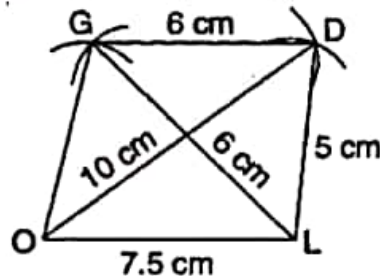
(ii) **Given:** $OL = 7.5 \text{ cm}$, $GL = 6 \text{ cm}$, $GD = 6 \text{ cm}$, $LD = 5 \text{ cm}$, $OD = 10 \text{ cm}$

To construct: A quadrilateral GOLD

Steps of construction:

- Draw a line segment $OL = 7.5 \text{ cm}$
- Draw an arc of radius 5 cm taking L as centre and another arc of radius 10 cm taking O as centre which intersect the first arc point at D .
- Join LD and OD .
- Draw an arc of radius 6 cm from D and draw another arc of radius 6 cm taking L as centre, which intersects at G .
- Join GD and GO .

It is the required quadrilateral GOLD.



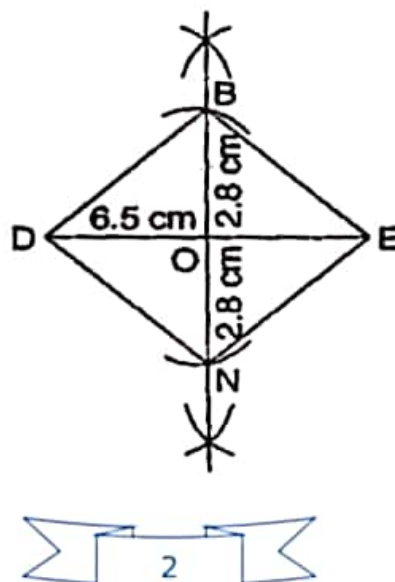
(iii) **Given:** $BN = 5.6 \text{ cm}$, $DE = 6.5 \text{ cm}$

To construct: A rhombus BEND.

Steps of construction:

- Draw $DE = 6.5 \text{ cm}$.
- Draw perpendicular bisector of line segment DE .
- Draw two arcs of radius 2.8 cm from intersection point O , which intersects the line KN at B and N .
- Join BE , BD as well as ND and NE .

It is the required rhombus BEND.



Exercise 4.3

Question 1:

Construct the following quadrilaterals:

- (i) Quadrilateral MORE
MO = 6 cm, OR = 4.5 cm, $\angle M = 60^\circ$, $\angle O = 105^\circ$, $\angle R = 105^\circ$
- (ii) Quadrilateral PLAN
PL = 4 cm, LA = 6.5 cm, $\angle P = 90^\circ$, $\angle A = 110^\circ$, $\angle N = 85^\circ$
- (iii) Parallelogram HEAR
HE = 5 cm, EA = 6 cm, $\angle R = 85^\circ$
- (iv) Rectangle OKAY
OK = 7 cm, KA = 5 cm

Answer 1:

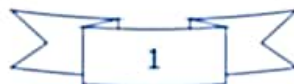
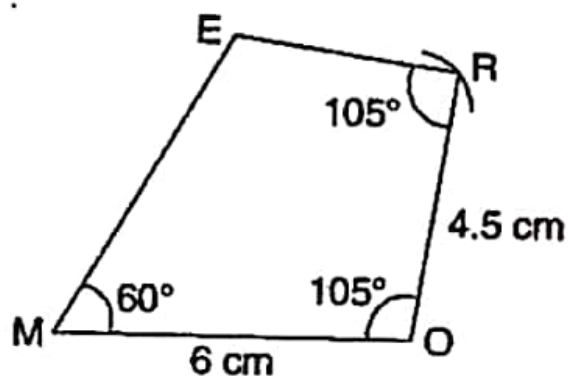
- (i) **Given:** MO = 6 cm, OR = 4.5 cm, $\angle M = 60^\circ$, $\angle O = 105^\circ$, $\angle R = 105^\circ$

To construct: A quadrilateral MORE.

Steps of construction:

- (a) Draw a line segment MO = 6 cm.
- (b) Construct $\angle R = 105^\circ$ and taking radius 4.5 cm, draw an arc taking O as centre, which intersects at R.
- (c) Also construct an angle 105° at R and produce the side RE.
- (d) Construct another angle of 60° at point M and produce the side ME.
Both sides ME and RE intersect at E.

It is the required quadrilateral MORE.



(ii) **Given:** $PL = 4 \text{ cm}$, $LA = 6.5 \text{ cm}$, $\angle P = 90^\circ$, $\angle A = 110^\circ$, $\angle N = 85^\circ$

To construct: A quadrilateral PLAN.

To find: $\angle L = 360^\circ - (90^\circ + 85^\circ + 110^\circ) = 360^\circ - 285^\circ = 75^\circ$

Steps of construction:

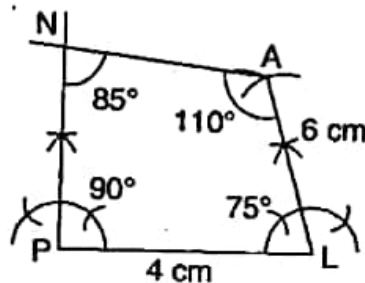
(a) Draw a line segment $PL = 4 \text{ cm}$.

(b) Construct angle of 90° at P and produce the side PN.

(c) Construct angle of 75° at L and with L as centre, draw an arc of radius 6 cm, which intersects at A.

(d) Construct $\angle A = 110^\circ$ at A and produce the side AN which intersects PN at N.

It is the required quadrilateral PLAN.



(iii) **Given:** $HE = 5 \text{ cm}$, $EA = 6 \text{ cm}$, $\angle R = 85^\circ$

To construct: A parallelogram HEAR.

To find: $\angle H = 180^\circ - 85^\circ = 95^\circ$ [\because Sum of adjacent angle of \parallel^m is 180°]

Steps of construction:

(a) Draw a line segment $HE = 5 \text{ cm}$.

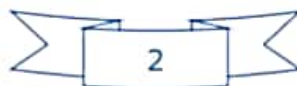
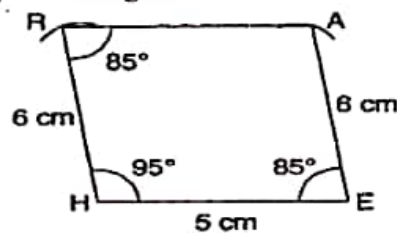
(b) Construct $\angle H = 95^\circ$ and draw an arc of radius 6 cm with centre H. It intersects AR at R.

(c) Join RH.

(d) Draw $\angle R = \angle E = 85^\circ$ and draw an arc of radius 6 cm with E as a centre which intersects RA at A.

(e) Join RA

It is the required parallelogram HEAR.



Exercise 4.4

Question 1:

Construct the following quadrilaterals:

- (i) Quadrilateral DEAR
DE = 4 cm, EA = 5 cm, AR = 4.5 cm, $\angle E = 60^\circ$, $\angle A = 90^\circ$
- (ii) Quadrilateral TRUE
TR = 3.5 cm, RU = 3 cm, UE = 4 cm, $\angle R = 75^\circ$, $\angle U = 120^\circ$

Answer 1:

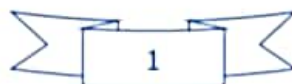
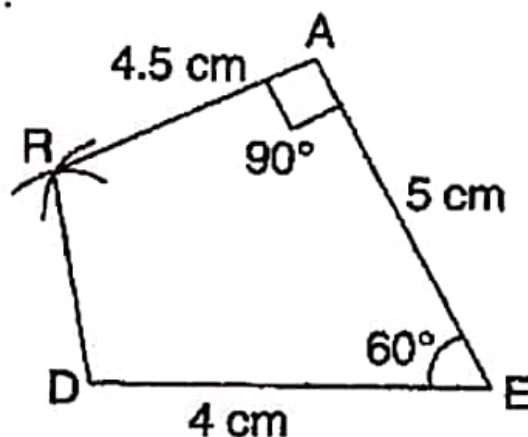
- (i) **Given:** DE = 4 cm, EA = 5 cm, AR = 4.5 cm, $\angle E = 60^\circ$, $\angle A = 90^\circ$

To construct: A quadrilateral DEAR.

Steps of construction:

- (a) Draw a line segment DE = 4 cm.
- (b) At point E, construct an angle of 60° .
- (c) Taking radius 5 cm, draw an arc from point E which intersects at A.
- (d) Construct $\angle A = 90^\circ$, draw an arc of radius 4.5 cm with centre A which intersect at R.
- (e) Join RD.

It is the required quadrilateral DEAR.



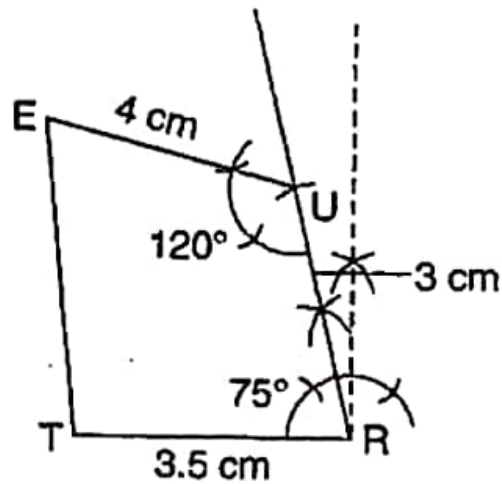
(ii) **Given:** $TR = 3.5 \text{ cm}$, $RU = 3 \text{ cm}$, $UE = 4 \text{ cm}$, $\angle R = 75^\circ$, $\angle U = 120^\circ$

To construct: A quadrilateral TRUE

Steps of construction:

- (a) Draw a line segment $TR = 3.5 \text{ cm}$.
- (b) Construct an angle 75° at R and draw an arc of radius 3 cm with R as centre, which intersects at U.
- (c) Construct an angle of 120° at U and produce the side UE.
- (d) Draw an arc of radius 4 cm with U as centre.
- (e) Join UE and TE.

It is the required quadrilateral TRUE.



Exercise 4.5

Question 1:

Draw the following:

The square READ with $RE = 5.1$ cm.

Answer 1:

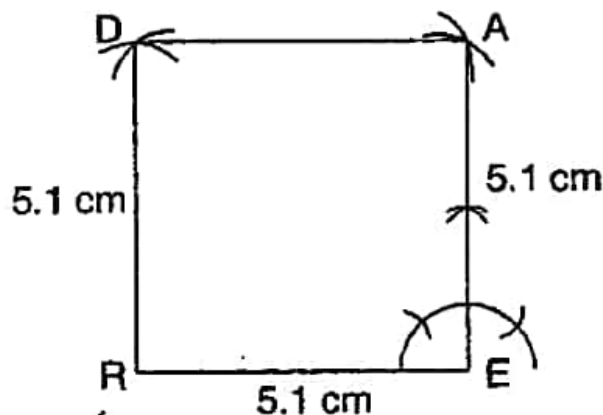
Given: $RE = 5.1$ cm.

To construct: A square READ.

Steps of construction:

- (i) Draw $RE = 5.1$ cm.
- (ii) At point E, construct an angle of 90° and draw an arc of radius 5.1 cm, which intersects at point A.
- (iii) At point R, draw an arc of radius 5.1 cm at point A, draw another arc of radius 5.1 cm which intersects the first arc at point D.
- (iv) Join AD and RD.

It is the required square READ,



Question 2:

Draw the following:

A rhombus whose diagonals are 5.2 cm and 6.4 cm.

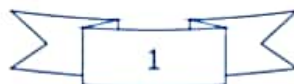
Answer 2:

Given: Diagonals of a rhombus $AC = 5.2$ cm and $BD = 6.4$ cm.

To construct: A rhombus ABCD.

Steps of construction:

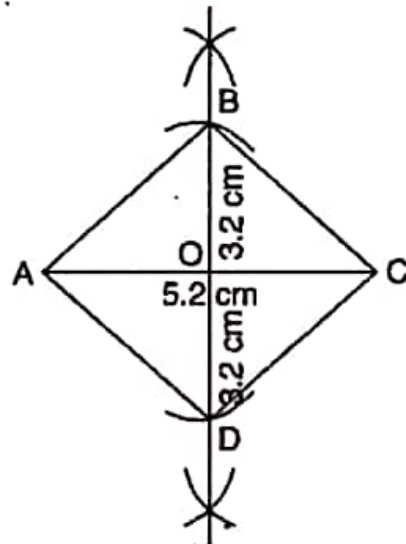
- (a) Draw $AC = 5.2$ cm and draw perpendicular bisectors on AC.
- (b) Since, diagonals bisect at mid-point O, therefore get half of 6.4 cm, i.e., 3.2 cm.



(c) Draw two arcs on both sides of AC of radius 3.2 cm from intersection point O, which intersects at B and D.

(d) Join AB, BC, CD and DA.

It is required rhombus ABCD.



Question 3:

Draw the following:

A rectangle with adjacent sides of length 5 cm and 4 cm.

Answer 3:

Given: $MN = 5$ cm and $MP = 4$ cm.

To construct: A rectangle MNOP

Steps of construction:

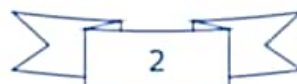
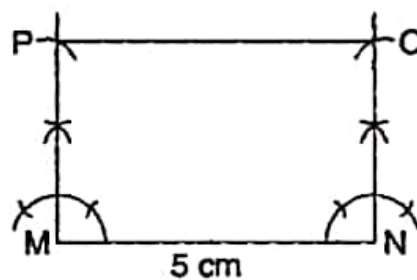
(a) Draw a segment $MN = 5$ cm.

(b) At points M and N, draw perpendiculars of lengths 4 cm and produce them.

(c) Taking centres M and N, draw two arcs of 4 cm each, which intersect P and Q respectively.

(d) Join side PO.

It is required rectangle MNOP.



Question 4:

Draw the following:

A parallelogram OKAY where $OK = 5.5$ cm and $KA = 4.2$ cm.

Answer 4:

Given: $OK = 5.5$ cm and $KA = 4.2$ cm.

To construct: A parallelogram OKAY.

Steps of construction:

- (a) Draw a line segment $OK = 5.5$ cm.
- (b) Draw an angle of 90° at K and draw an arc of radius $KA = 4.2$ cm, which intersects at point A.
- (c) Draw another arc of radius $AY = 5.5$ cm and at point O, draw another arc of radius 4.2 cm which intersect at Y.
- (d) Join AY and OY.

It is the required parallelogram OKAY.

